

CATALOGUE



SERIES 9000
FITTINGS FOR AIR BRAKE
SYSTEMS



SOLUTIONS FOR THE TRANSPORTATION SECTOR

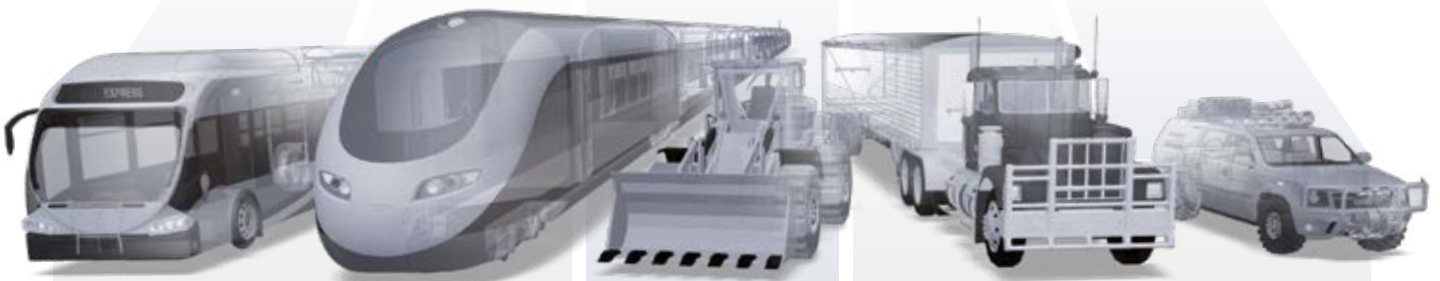
Camozzi Automation offers the Transportation sector robust, reliable and efficient solutions that are suitable to operate in the most diverse environmental conditions.

The transportation sector requires efficient, safe and environmental friendly systems. Sustainable public and private transport solutions have now become essential.

Camozzi Automation offers a wide range of high quality modular products, tested according to customer specifications, also for equipment that operates under difficult conditions, at extreme temperatures,

with shocks, vibrations and different voltages. Our technicians provide support during project development and after-sales service all over the world, making us the ideal partner for projects with a high added value.

The range of Series 9000 fittings has been developed for an easy installation and reliable operation. The compact and slim design of this robust brass air brake fitting line is the first choice for use on all kinds of commercial vehicles and trailers.



BUS & COACH



RAILWAY



OFF HIGHWAY



TRUCK & TRAILER



PASSENGER CAR

*Products
Technology
Solutions*

*Comfortable
Reliable
Safe*

*No matter where,
when or what means
of transport*

We take you further.

Series 9000 fittings

Mod. 9512 Page 5 	Mod. D6512 Page 5 	Mod. 9510 Page 5 	Mod. 9463 Page 6 	Mod. 9502 Page 6 	Mod. 9500 Page 7 
Mod. 9412 Page 7 	Mod. 9410 Page 7 	Mod. 9422 Page 8 	Mod. 9420 Page 8 	Mod. 9102 Page 8 	Mod. 9590 Page 9 
Mod. 9590 con cono 24° Page 9 	Mod. 9592 Page 9 	Mod. 9580 Page 9 	Mod. 9540 Page 10 	Mod. 9555 Page 10 	Mod. 9450 Page 10 
Mod. 9402 Page 10 	Mod. D2512 and D2502 Page 11 	Mod. D2532 Page 11 	Mod. D2612 Page 11 	Mod. D2602 Page 11 	Mod. D2022 Page 12 
Mod. D2062 Page 12 	Mod. D2072 Page 12 	Mod. D2003 Page 12 	Mod. D2003-S01 Page 13 	Mod. D2032 Page 13 	Mod. D2077 Page 13 
Mod. D3043 Page 13 	Mod. VPC2 Page 14 	Mod. VDC2 Page 14 	Mod. V604 Page 14 		

Accessories

Mod. TRN Page 15 	Mod. DRK Page 15 	Mod. PNZ and PNPZ Page 15 
---	---	--

Repair kits

TRUCK-DCASE/9000 Page 16 	TRUCK-DCASE/6000 Page 16 	TRUCK-DCASE/9000+6000 Page 16 
---	---	--

Series 9000 Fittings for air brake systems

Tube dimensions

4x1; 6x1; 8x1; 10x1; 10x1,5; 12x1,5; 15x1,5; 15x2; 16x1,5; 16x2; 18x2

Thread dimension

Metric: M10x1; M12x1,5; M14x1,5; M16x1,5; M18x1,5; M22x1,5
Conical: 1/8" NPTF and 3/8" NPTF

SERIES 9000



Series 9000 fittings have been designed to connect the tubes in the pneumatic braking system of commercial vehicles and trailers. During development we focused on reliability and ease of assembly.

After a tube is connected to the fitting, the tube can again be removed by using a dedicated 9000 release tool, thus the fitting can remain mounted in the threaded port of the air brake system.

Each fitting has a rubber cap, to protect against dirt and water.

Series 9000 fittings are certified and produced acc. IATF 16949:2016 standards.

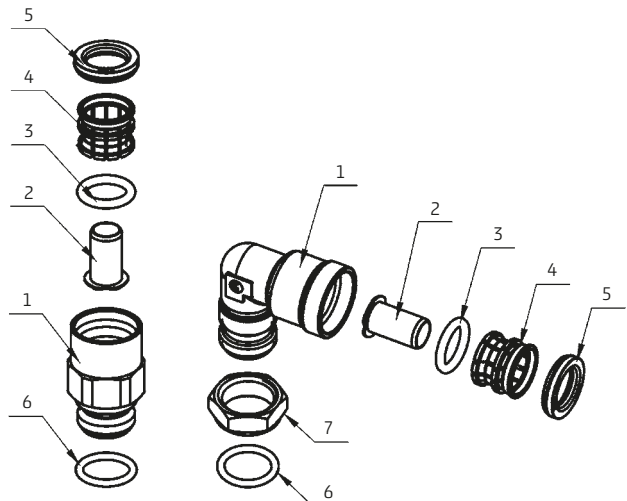
The robust brass body of the fittings ensures safe operation in harsh conditions and high resistance against corrosion.

The internal support tube guarantees a proper and stable positioning and fixation of the inserted air brake tube, even when exposed to temperature variations or dynamic vibrations.

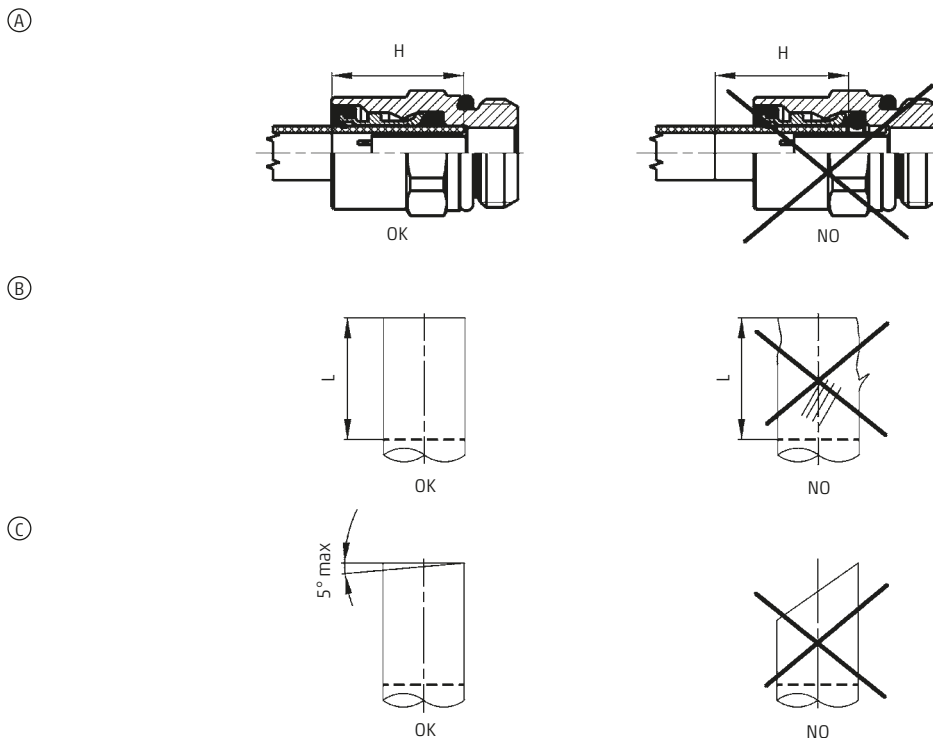
O-rings and protective cap are produced from NBR rubber and thus are resistant to oil. Series 9000 fittings are supplied pre-assembled and are therefore ready to use.

General data

Thread type	Metric acc. ISO965 / Conical NPTF acc. ANSI B1.20.3	
Media	Compressed air (other fluids, please contact our technicians)	
Operating pressure	Up to 16 bar (review also tube specifications)	
Operating temperature	-50°C up to 100°C (review also tube specifications)	
Tubes	Designed for use with Hytrel® or polyamide tubing, compliant with standards DIN 73378, DIN 74324 or ISO 7628	
Materials	COMPONENT	MATERIAL
	1 = Body	Brass
	2 = Support tube	Composite or Brass (depending on tube size)
	3 = Tube O-Ring	NBR
	4 = Collet	Brass
	5 = Protection Cap	NBR
	6 = Thread O-Ring	NBR
	7 = Locking ring	Brass

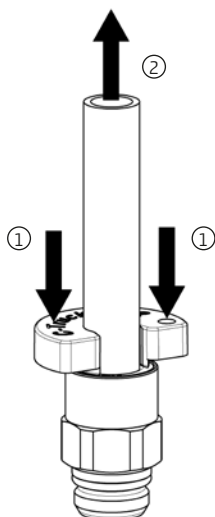


Assembly and removal of the tube



To achieve a correct, safe and tight connection, it is necessary that the end of the tube has been cut in the right way (picture C). The outer surface of the tube needs to be smooth and free from any kind of damage or dirt (picture B). To insert the tube properly, make sure to push it into the fitting up to the tube stop (picture A). The necessary insertion length is defined for every tube size/fitting in the table on the left side (Assembly length H). We recommend to suitably mark the tube, to be able to control the correct tube insertion (picture A). When cutting the tube, the angle should not exceed 5° (picture C), thus we recommend to use the tube cutting tool mod. PNZ in this catalogue.

Tube	Outer diameter (mm)	Inner diameter (mm)	Assembly length H (mm)	Insert length L (mm)
4x1	4	2	18,5	9,5
6x1	6	4	17,5	9,5
8x1	8	6	19,5	9,5
10x1	10	8	21	11
10x1,5	10	7	21	11
12x1,5	12	9	21,5	11
15x1,5	15	12	25	11,5
15x2	15	11	25	11,5
16x1,5	16	13	27,5	13
16x2	16	12	27,5	13
18x2	18	14	27,5	13



To remove the tube from the fitting, use the correct Series 9000 release tool DRK from this catalogue, hook it on the tube and press down the protective cap. Whilst you press on top of the protective cap, the tube is released and you can pull it out of the fitting.

Attention: Do not remove a tube from a fitting when the system is still pressurized. Make sure you have released the complete air pressure before you remove a tube.

Tube assembly and disassembly must be carried out by a technician who is trained and has detailed knowledge of the airbrake system and the Series 9000 fittings.

Assembly of the fittings in the system

To ensure a tight and correct connection between the fitting and the threaded port of the component in the pneumatic system, please install according the following description:

1. Screw the nut upwards till you reach the mechanical stop (Comment: Please do not screw the nut against the stop with high torque forces applied by a tool. Please position the nut by hand, as shown in the pictures).



A



B



2. Screw the fitting into the threaded port until the O-ring seal touches the surface of the port. This can be done by hand or by a tool (Comment: We recommend to do this by hand (Picture A), to have a good haptic feedback once the right position is reached).

A



B



3. Bring the fitting into the final, desired position rotating it by max. 180° clockwise or anti-clockwise

4. Fix the position you have defined for your fitting with one hand and tighten the connection by screwing the nut downwards till you have reached the recommended torque (see table below).

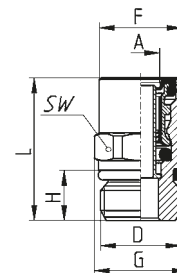


5. The assembly is completed.



Thread	Torque force (Nm)
M10X1	11 - 15
M12X1.5	15 - 19
M14X1.5	19 - 23
M16X1.5	24 - 30
M18X1.5	27 - 33
M22X1.5	36 - 44

Straight fittings Mod. 9512



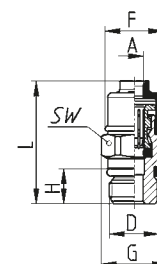
CHARACTERISTICS									
Mod.	A	D	F	G	H	L	SW	Weight (g)	Pack. (pcs)
9512 6-M10X1	6x1	M10X1	13,8	15	7	27,5	14	17,5	10
9512 6-M12X1,5R	6x1	M12X1,5	13,8	15	10	27,5	14	17,5	10
9512 6-M14X1,5R	6x1	M14X1,5	13,8	15	10	26,5	14	19,5	10
9512 6-M16X1,5R	6x1	M16X1,5	13,8	17	10	19,5	14	17,5	10
9512 8-M10X1	8x1	M10X1	16,5	18,5	7	30	17	26,5	10
9512 8-M12X1,5R	8x1	M12X1,5	16,5	18,5	10	32	17	28,5	10
9512 8-M14X1,5R	8x1	M14X1,5	16,5	18,5	10	29	17	26	10
9512 8-M16X1,5R	8x1	M16X1,5	16,5	18,5	10	28,5	17	29,5	10
9512 8-M22X1,5R	8x1	M22X1,5	16,5	23	10	21	19	39,5	10
9512 10/7-M12X1,5R	10x1,5	M12X1,5	17,8	19,5	10	33,5	18	26,5	10
9512 10/7-M16X1,5R	10x1,5	M16X1,5	17,8	19,5	10	29,5	18	29	10
9512 10/7-M22X1,5R	10x1,5	M22X1,5	18,5	23	10	22,5	19	37	10
9512 10-M12X1,5R	10x1	M12X1,5	17,8	19,5	10	33,5	18	26,5	10
9512 10-M16X1,5R	10x1	M16X1,5	17,8	19,5	10	29,5	18	29	10
9512 10-M18X1,5R*	10x1	M18X1,5	17,8	19,5	10	29,5	18	34	10
9512 10-M22X1,5R	10x1	M22X1,5	18,5	23	10	22,5	19	37	10
9512 12-M12X1,5R	12x1,5	M12X1,5	19,8	21,5	10	35,5	20	34	10
9512 12-M14X1,5R	12x1,5	M14X1,5	19,8	21,5	10	35	20	35,5	10
9512 12-M16X1,5R	12x1,5	M16X1,5	19,8	21,5	10	34	20	37	10
9512 12-M22X1,5R	12x1,5	M22X1,5	20,5	24	10	23	22	37	10
9512 15/11-M16X1,5R*	15x2	M16X1,5	23,8	26,5	10	39	24	53,5	10
9512 15/11-M22X1,5R*	15x2	M22X1,5	23,8	26,5	10	32	24	50,5	10
9512 15-M16X1,5R	15x1,5	M16X1,5	23,8	26,5	10	39	24	53,5	10
9512 15-M22X1,5R	15x1,5	M22X1,5	23,8	26,5	10	32	24	50,5	10
9512 16/12-M16X1,5R	16x2	M16X1,5	25	30	10	42,5	27	75	10
9512 16/12-M22X1,5R*	16x2	M22X1,5	25	30	10	35	27	68,5	10
9512 16-M22X1,5R	16x1,5	M22X1,5	25	30	10	35	27	68,5	10
9512 18-M22X1,5R	18x2	M22X1,5	26,8	30	10	40	27	68	10

* on request only. The previous version is available while stocks last.

Straight fittings Mod. D6512

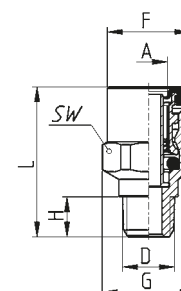


Supplied without any insert



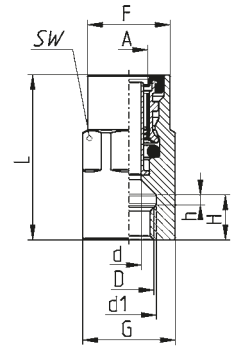
CHARACTERISTICS									
Mod.	A	D	F	G	H	L	SW	Weight (g)	Pack. (pcs)
D6512 4-M10X1	4x1	M10X1	11,7	13,2	7	24,5	12	9	10

Straight fittings Mod. 9510



CHARACTERISTICS									
Mod.	A	D	F	G	H	L	SW	Weight (g)	Pack. (pcs)
9510 6-02	6x1	1/8 NPTF	13,8	15	8	24,5	14	16	10
9510 05-02	8x1	1/8 NPTF	16,5	18,5	8	30	17	27	10

Fittings with female thread Mod. 9463

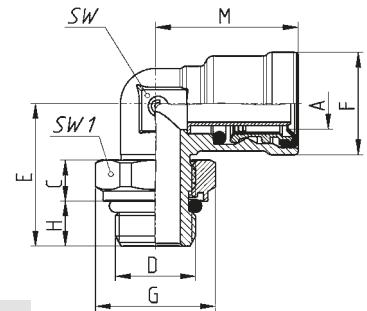


CHARACTERISTICS

Mod.	A	D	d	d1	F	G	H	h	L	SW	Weight (g)	Pack. (pcs)
9463 6-M10X1	6x1	M10X1	5	11	13,8	15	9	2	31,5	14	27	10
9463 6-M12X1,5	6x1	M12X1,5	-	-	13,8	17	11	-	34	15	34	10
9463 6-M16X1,5	6x1	M16X1,5	-	-	15,3	21	10,5	-	34	19	51	10
9463 8-M10X1*	8x1	M10X1	5	11	16,5	18,5	9	2	35	17	46	10

* on request only. The previous version is available while stocks last.

Elbow fittings Mod. 9502

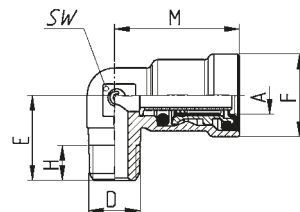


CHARACTERISTICS

Mod.	A	C	D	E	F	G	H	M	SW	SW1	Weight (g)	Pack. (pcs)
9502 6-M10X1R	6x1	6	M10X1	22	14,5	16	7*	22,5	9	14	25	10
9502 6-M12X1,5R	6x1	8,2	M12X1,5	25	14,5	19	9	22,5	9	17	34	10
9502 6-M16X1,5R	6x1	8,2	M16X1,5	26	14,5	24	9	23	11	22	46,5	10
9502 6-M22X1,5R	6x1	8,2	M22X1,5	29	14,5	30	9	23	11	27	60	10
9502 8-M10X1R	8x1	6	M10X1	23	16,5	16	7*	25	11	14	30,5	10
9502 8-M12X1,5R	8x1	8,2	M12X1,5	26	16,5	19	9	25	11	17	39,5	10
9502 8-M14X1,5R	8x1	8,2	M14X1,5	26	16,5	21	9	25	11	19	40	10
9502 8-M16X1,5R	8x1	8,2	M16X1,5	26	16,5	24	9	25	11	22	45,5	10
9502 8-M22X1,5R	8x1	8,2	M22X1,5	29	16,5	30	9	25	11	27	60	10
9502 10/7-M12X1,5R*	10x1,5	8,2	M12X1,5	27	18,5	19	9	27	13	17	48	10
9502 10/7-M16X1,5R	10x1,5	8,2	M16X1,5	27,5	18,5	24	9	27	13	22	55,5	10
9502 10/7-M22X1,5R	10x1,5	8,2	M22X1,5	29	18,5	30	9	27	13	27	69,3	10
9502 10-M12X1,5R	10x1	8,2	M12X1,5	27	18,5	19	9	27	13	17	47	10
9502 10-M16X1,5R	10x1	8,2	M16X1,5	27,5	18,5	24	9	27	13	22	54	10
9502 10-M22X1,5R	10x1	8,2	M22X1,5	29	18,5	30	9	27	13	27	68	10
9502 12-M12X1,5R	12x1,5	8,2	M12X1,5	28,5	20,5	19	9	28,5	15	17	55,5	10
9502 12-M16X1,5R	12x1,5	8,2	M16X1,5	28,5	20,5	24	9	28,5	15	22	59,5	10
9502 12-M22X1,5R	12x1,5	8,2	M22X1,5	30	20,5	30	9	28,5	15	27	72,5	10
9502 15/11-M16X1,5R*	15x2	8,2	M16X1,5	31,5	24,5	24	9	34	18	22	94	10
9502 15/11-M22X1,5R*	15x2	8,2	M22X1,5	34	24,5	30	9	34	18	27	106	10
9502 15-M16X1,5R	15x1,5	8,2	M16X1,5	31,5	24,5	24	9	34	18	22	91	10
9502 15-M22X1,5R	15x1,5	8,2	M22X1,5	34	24,5	30	9	34	18	27	103	10
9502 16/12-M16X1,5R*	16x2	8,2	M16X1,5	33	25	24	9	35,5	21	22	114	10
9502 16/12-M22X1,5R	16x2	8,2	M22X1,5	33	25	30	9	35,5	21	27	117,5	10
9502 16-M22X1,5R	16x1,5	8,2	M22X1,5	33	25	30	9	35,5	21	27	117,5	10
9502 18-M22X1,5R	18x2	8,2	M22X1,5	33	27,5	30	9	35,5	21	27	115	10

* on request only. The previous version is available while stocks last.

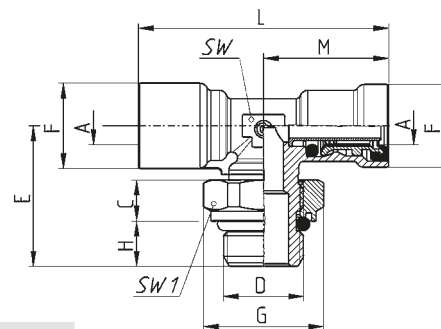
Elbow fittings Mod. 9500



CHARACTERISTICS									
Mod.	A	D	E	F	H (min)	M	SW	Weight (g)	Pack. (pcs)
9500 6-02	6x1	1/8 NPTF	17,5	14,5	8,5	21,5	9	18	10
9500 05-02*	8x1	1/8 NPTF	17	16,5	7	25	11	23	10
9500 12-06	12x1,5	3/8 NPTF	24,5	20,5	10,5	28,5	15	46	10

* on request only. The previous version is available while stocks last.

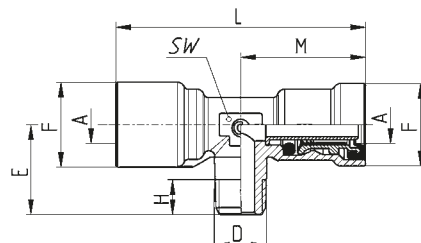
Tee fittings Mod. 9412



CHARACTERISTICS													
Mod.	A	C	D	E	F	G	H	L	M	SW	SW1	Weight (g)	Pack. (pcs)
9412 6-M10X1R	6x1	6	M10X1	23	14,5	16	7	45	22,5	9	14	38	10
9412 6-M12X1,5R	6x1	8,2	M12X1,5	27,5	14,5	19	9	46	23	11	17	57	10
9412 6-M16X1,5R*	6x1	8,2	M16X1,5	28	14,5	24	9	46	23	11	22	64,5	10
9412 6-M22X1,5R	6x1	8,2	M22X1,5	32	14,5	30	9	49	24,5	15	27	87	10
9412 8-M12X1,5R	8x1	8,2	M12X1,5	27,5	16,5	19	9	50	25	11	17	59,5	10
9412 8-M16X1,5R	8x1	8,2	M16X1,5	28	17	24	9	50	25	11	22	67	10
9412 8-M22X1,5R	8x1	8,2	M22X1,5	32	16,5	30	9	53	26,5	15	27	95,5	10
9412 10/7-M12X1,5R*	10x1,5	8,2	M12X1,5	29	18,5	19	9	55	27,5	15	17	86	10
9412 10/7-M16X1,5R*	10x1,5	8,2	M16X1,5	29	18,5	24	9	55	27,5	15	22	91	10
9412 10/7-M22X1,5R*	10x1,5	8,2	M22X1,5	32	18,5	30	9	55	27,5	15	27	103	10
9412 10-M12X1,5R	10x1	8,2	M12X1,5	29	18,5	19	9	55	27,5	15	17	83	10
9412 10-M16X1,5R	10x1	8,2	M16X1,5	29	18,5	24	9	55	27,5	15	22	88	10
9412 10-M22X1,5R*	10x1	8,2	M22X1,5	32	18,5	30	9	55	27,5	15	27	100,5	10
9412 12-M12X1,5R*	12x1,5	8,2	M12X1,5	29	20,5	19	9	57	28,5	15	17	77	10
9412 12-M16X1,5R*	12x1,5	8,2	M16X1,5	29	20,5	24	9	57	28,5	15	22	83	10
9412 12-M22X1,5R	12x1,5	8,2	M22X1,5	32	20,5	30	9	57	28,5	15	27	95,5	10
9412 15/11-M16X1,5R*	15x2	8,2	M16X1,5	33,5	24,5	24	9	68	34	18	22	135,5	10
9412 15/11-M22X1,5R	15x2	8,2	M22X1,5	34	24,5	30	9	68	34	18	27	146,5	10
9412 15-M16X1,5R	15x1,5	8,2	M16X1,5	33,5	24,5	24	9	68	34	18	22	129,5	10
9412 15-M22X1,5R*	15x1,5	8,2	M22X1,5	34	24,5	30	9	68	34	18	27	140,5	10

* on request only. The previous version is available while stocks last.

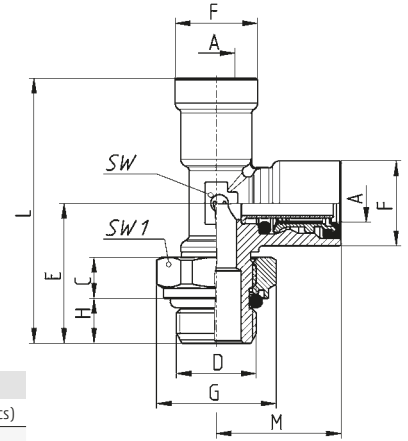
Tee fittings Mod. 9410



CHARACTERISTICS										
Mod.	A	D	E	F	H	L	M	SW1	Weight (g)	Pack. (pcs)
9410 6-02	6x1	1/8 NPTF	17,5	14,5	7	45	22,5	9	30,5	10
9410 05-02*	8x1	1/8 NPTF	18	17	7	50	25	11	42	10

* on request only. The previous version is available while stocks last.

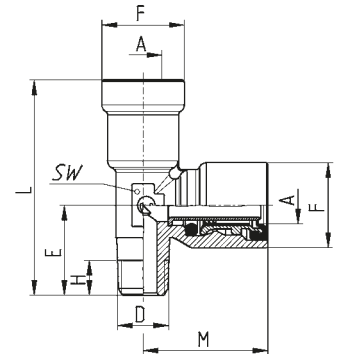
Tee fittings Mod. 9422



CHARACTERISTICS													
Mod.	A	C	D	E	F	G	H	L	M	SW	SW1	Weight (g)	Pack. (pcs)
9422 6-M10X1R	6x1	6	M10X1	23	14,5	16	7	45,5	22,5	9	14	37,5	10
9422 6-M12X1,5R	6x1	8,2	M12X1,5	27,5	14,5	19	9	50,5	23	11	17	57	10
9422 6-M16X1,5R*	6x1	8,2	M16X1,5	28	14,5	24	9	51	23	11	22	63,5	10
9422 8-M12X1,5R*	8x1	8,2	M12X1,5	27,5	17	19	9	52,5	25	11	17	59,5	10
9422 8-M16X1,5R	8x1	8,2	M16X1,5	28	17	24	9	53	25	11	22	67	10
9422 8-M22X1,5R	8x1	8,2	M22X1,5	32	16,5	30	9	58,5	26,5	15	27	95	10
9422 10-M16X1,5R	10x1	8,2	M16X1,5	29	18,5	24	9	56,5	27,5	15	22	88	10
9422 10-M22X1,5R	10x1	8,2	M22X1,5	32	18,5	30	9	59,5	27,5	15	27	100	10
9422 12-M12X1,5R*	12x1,5	8,2	M12X1,5	29	20,5	19	9	57,5	28,5	15	17	78	10
9422 12-M16X1,5R	12x1,5	8,2	M16X1,5	29	20,5	24	9	57,5	28,5	15	22	83	10
9422 12-M22X1,5R	12x1,5	8,2	M22X1,5	32	20,5	30	9	60,5	28,5	15	27	99,5	10
9422 15-M16X1,5R*	15x1,5	8,2	M16X1,5	33,5	24,5	24	9	67,5	34	18	22	130	10
9422 15-M22X1,5R*	15x1,5	8,2	M22X1,5	34	24,5	30	9	68	34	18	27	140,5	10

* on request only. The previous version is available while stocks last.

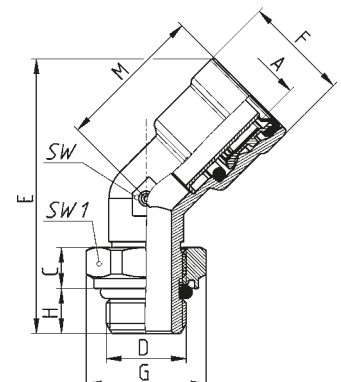
Tee fittings Mod. 9420



CHARACTERISTICS										
Mod.	A	D	E	F	H	L	M	SW	Weight (g)	Pack. (pcs)
9420 6-02	6x1	1/8 NPTF	17,5	14,5	7	40	22,5	9	30	10
9420 05-02*	8x1	1/8 NPTF	18	17	7	43	25	11	42	10

* on request only. The previous version is available while stocks last.

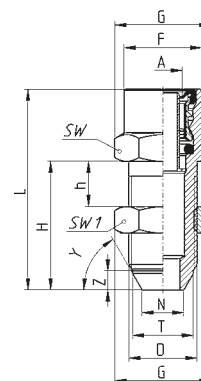
135° fittings Mod. 9102



CHARACTERISTICS												
Mod.	A	C	D	E	F	G	H	M	SW	SW1	Weight (g)	Pack. (pcs)
9102 12-M16X1,5R**	12x1,5	8,2	M16X1,5	54,9	21,3	24	9	29,5	15	22	64	10

** on request only.

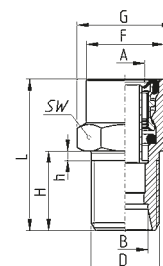
Bulkhead connectors Mod. 9590



CHARACTERISTICS															
Mod.	A	D	F	G	H	h	L	N	T	Y	Z	SW	SW1	Weight (g)	Pack. (pcs)
9590 8-M18X1,5*	8x1	M18X1,5	-	25,5	50	10	55,5	10,8	15,7	53	4	22	22	99,5	10
9590 12-M18X1,5	12x1,5	M18X1,5	20,5	25,5	34	4	53	11	16	60	5	22	22	83	10
9590 12-M18X1,5-S04	12x1,5	M18X1,5	20,5	25,5	33	4	52	10,8	15,7	53	4	22	-	71	10

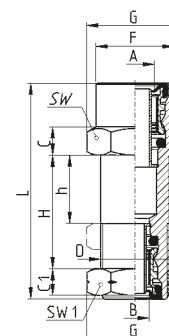
* on request only. The previous version is available while stocks last.

Bulkhead connectors Mod. 9590 with 24° cone



CHARACTERISTICS												
Mod.	A	B	D	F	G	H	h	L	SW	Weight (g)	Pack. (pcs)	
9590 6-M14x1,5	6x1	8	M14X1,5	14,5	20	21	2,5	36	17	36	10	
9590 8-M14x1,5	8x1	8	M14X1,5	16,5	20	21	2,5	43,5	17	46	10	
9590 8-M16x1,5	8x1	10	M16X1,5	16,5	22	21	2,5	37	19	44	10	
9590 12-M18x1,5-S06	12x1,5	12	M18X1,5	20,5	25,5	21	2,5	40	22	56	10	

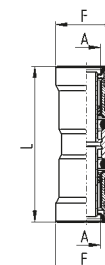
Bulkhead connectors Mod. 9592



CHARACTERISTICS														
Mod.	A	B	C	C1	D	F	G	H	h	L	SW	SW1	Weight (g)	Pack. (pcs)
9592 8-8-M18X1*	8x1	8x1	5,5	7	M18X1	-	25,5	30	18	43,5	22	22	77	10
9592 12-8-M18X1*	12x1,5	8x1	7,5	7	M18X1	20,5	25,5	30	18	57	22	22	90,5	10

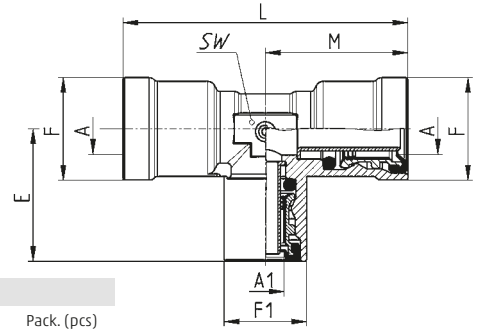
* on request only. The previous version is available while stocks last.

Connectors Mod. 9580



CHARACTERISTICS					
Mod.	A	F	L	Weight (g)	Pack. (pcs)
9580 6	6x1	14	37,5	21	10
9580 8	8x1	16	41	27	10
9580 10/7	10x1,5	18	44	34	10
9580 10	10x1	18	44	35	10
9580 12	12x1,5	20	45,5	43	10
9580 15/11	15x2	24	52	87	10
9580 16/12	16x2	25	58	100	10
9580 18	18x2	27	57	109	10

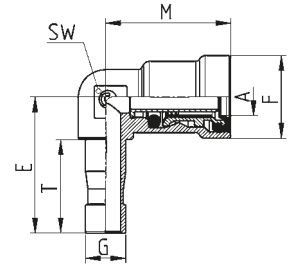
Tee fittings Mod. 9540



CHARACTERISTICS											
Mod.	A	A1	E	F	F1	L	M	SW	Weight (g)	Pack. (pcs)	
9540 6	6x1	6x1	22,5	14,5	14,5	45	22,5	9	35,5	10	
9540 8	8x1	8x1	25	17	17	50	25	11	53	10	
9540 10/7*	10x1,5	10x1,5	27,5	18,5	18,5	55	27,5	15	84	10	
9540 10	10x1	10x1	27,5	18,5	18,5	55	27,5	15	81	10	
9540 12	12x1,5	12x1,5	28,5	20,5	20,5	57	28,5	15	73,5	10	
9540 15/11*	15x2	15x2	34	24,5	24,5	68	34	18	137	10	
9540 15	15x1,5	15x1,5	34	24,5	24,5	68	34	18	129	10	
9540 8-8-6	8x1	6x1	23	17	14,5	50	25	11	50	10	
9540 12-12-8	12x1,5	8x1	26,5	20,5	16,5	57	28,5	15	72	10	

* on request only. The previous version is available while stocks last.

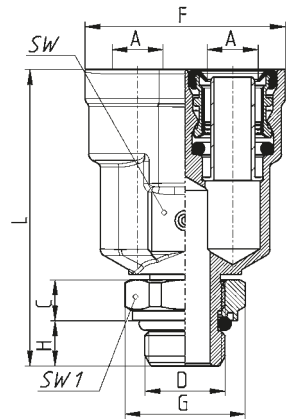
Fittings Mod. 9555



CHARACTERISTICS									
Mod.	A	G	T	E	F	M	SW	Weight (g)	Pack. (pcs)
9555 6-6**	6x1	6	16,9	25	14,5	22,5	9	17	10
9555 8-8**	8x1	8	18,7	27,2	16,5	25	11	23	10
9555 12-12**	12x1,5	12	20,7	32,2	21	29,5	15	45	10

** on request only.

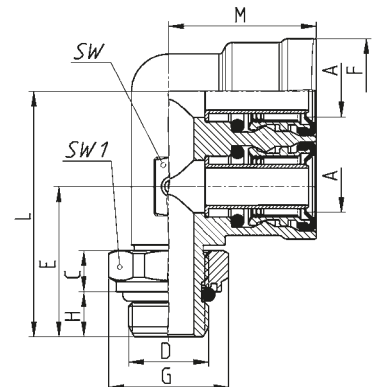
Y fittings Mod. 9450



CHARACTERISTICS											
Mod.	A	C	D	F	G	H	L	SW	SW1	Weight (g)	Pack. (pcs)
9450 8-M16X1,5R	8x1	8,2	M16X1,5	31,5	24	9	49,3	14	22	71,5	10
9450 12-M16X1,5R*	12x1,5	8,2	M16X1,5	40	24	9	59,2	20	22	130,5	10
9450 12-M22X1,5R	12x1,5	8,2	M22X1,5	40	30	9	59,2	20	27	133	10

* on request only. The previous version is available while stocks last.

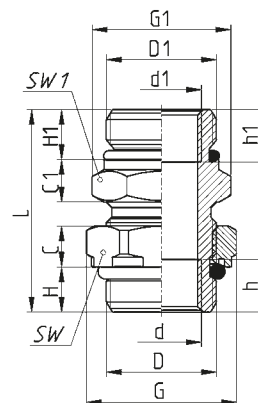
Elbow fittings Mod. 9402



CHARACTERISTICS													
Mod.	A	C	D	E	F	G	H	L	M	SW	SW1	Weight (g)	Pack. (pcs)
9402 12-M16X1,5R*	12x1,5	8,2	M16X1,5	30	21	24	9	49	29,5	15	22	108	10
9402 12-M22X1,5R	12x1,5	8,2	M22X1,5	30	21	30	9	49	29,5	15	27	114,5	10

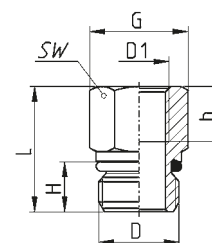
* on request only. The previous version is available while stocks last.

Bulkhead connectors Mod. D2512 and D2502



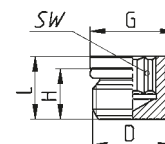
CHARACTERISTICS																	
Mod.	D	D1	d	d1	C	C1	G	G1	H	H1	h	h1	L	SW	SW1	Weight (g)	Pack. (pcs)
D2512 M22X1,5R-M16X1,5R	M22X1,5	M16X1,5	M16X1,5	M10X1	8,2	8,5	30	25,5	9	10	10,5	-	49,5	27	22	88	10
D2502 M22X1,5R-M22X1,5R-M16X1,5-L=39	M22X1,5	M22X1,5	M16X1,5	M16X1,5	8,2	8,5	30	28	9	10	10,5	10,5	40,5	27	24	79,5	10
D2502 M22X1,5R-M22X1,5R	M22X1,5	M22X1,5	-	-	8,2	8,5	30	28	9	10	-	-	40,5	27	24	84	10

Reducer Mod. D2532



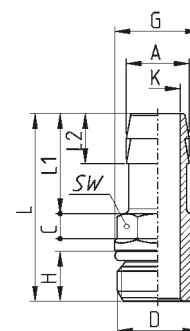
CHARACTERISTICS									
Mod.	D	D1	G	H	h	L	SW	Weight (g)	Pack. (pcs)
D2532 M16X1,5R-M12X1,5	M16X1,5	M12X1,5	20	10	11	25	17	25	10
D2532 M22X1,5R-M12X1,5	M22X1,5	M12X1,5	26,5	10	11	17,5	24	42,5	10
D2532 M22X1,5R-M16X1,5	M22X1,5	M16X1,5	26,5	10	10,5	17,5	24	31	10

Taps Mod. D2612



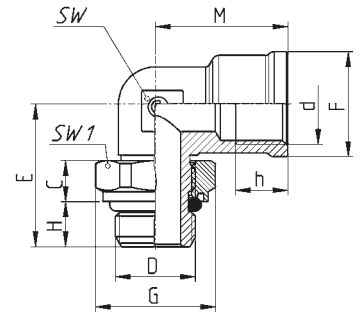
CHARACTERISTICS							
Mod.	D	H	L	G	SW	Weight (g)	Pack. (pcs)
D2612 M12X1,5R	M12X1,5	10	12	13	6	6,5	10
D2612 M16X1,5R	M16X1,5	10	12,5	17	8	13	10
D2612 M22X1,5R	M22X1,5	10	15	23	12	26	10

Hose adapters Mod. D2602



CHARACTERISTICS												
Mod.	A	D	C	G	H	L	L1	L2	K	SW	Weight (g)	Pack. (pcs)
D2602 10-M16X1,5R-L=30	11	M16X1,5	5	17	10	47,5	30	10	7,5	14	26,5	10
D2602 11,5-M16X1,5R-L=35	12,5	M16X1,5	5	17	10	52,5	35	10	9	14	27	10
D2602 12-M16X1,5R	12,5	M16X1,5	5	17	10	37,5	20	10	9	14	22	10
D2602 12-M22X1,5R	12,5	M22X1,5	5	23	10	38	20	10	9	14	35,5	10
D2602 13-M16X1,5-S01	15,5	M16X1,5	7	25,5	9	56	40	10	10	22	50	10

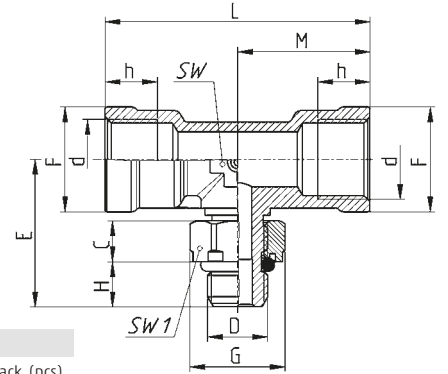
Elbow fittings Mod. D2022



CHARACTERISTICS

Mod.	d	D	C	E	F	G	H	h	M	SW	SW1	Weight (g)	Pack. (pcs)
D2022 M16X1,5-M16X1,5R	M16X1,5	M16X1,5	8,2	28,5	21	24	9	10,5	26,5	15	22	60,5	10
D2022 M16X1,5-M22X1,5R	M16X1,5	M22X1,5	8,2	30	21	30	9	10,5	26,5	15	27	71	10
D2022 M22X1,5-M22X1,5R	M22X1,5	M22X1,5	8,2	33	27	30	9	11	22	24	27	88	10

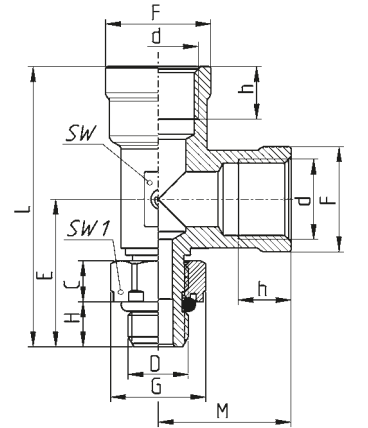
Tee fittings Mod. D2062



CHARACTERISTICS

Mod.	d	D	C	E	F	G	H	h	L	M	SW	SW1	Weight (g)	Pack. (pcs)
D2062 M16X1,5-M12X1,5R	M16X1,5	M12X1,5	8,2	29,5	21	19	9	10,5	53	26,5	15	17	77	10
D2062 M16X1,5-M16X1,5R	M16X1,5	M16X1,5	8,2	30	21	24	9	12,5	37	18,5	20	22	70	10
D2062 M16X1,5-M22X1,5R	M16X1,5	M22X1,5	8,2	32	21	30	9	10,5	37	18,5	20	27	84,5	10
D2062 M22X1,5-M22X1,5R	M22X1,5	M22X1,5	8,2	33	27	30	9	11	64	32	20	27	131	10

Tee fittings Mod. D2072

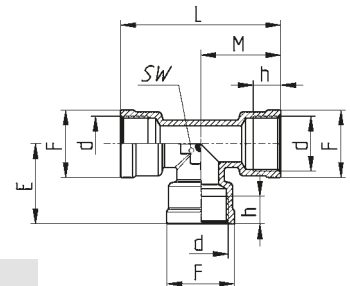


CHARACTERISTICS

Mod.	d	D	C	E	F	G	H	h	L	M	SW	SW1	Weight (g)	Pack. (pcs)
D2072 M16X1,5-M12X1,5R*	M16X1,5	M12X1,5	8,2	29,5	21	19	9	10,5	56	26,5	15	17	75	10
D2072 M16X1,5-M16X1,5R	M16X1,5	M16X1,5	8,2	30	21	24	9	10	48,5	18,5	20	22	70	10
D2072 M16X1,5-M22X1,5R	M16X1,5	M22X1,5	8,2	32	21	30	9	10	50,5	18,5	20	27	82	10
D2072 M22X1,5-M22X1,5R	M22X1,5	M22X1,5	8,2	33	27	30	9	11	65	32	20	27	131	10

* on request only. The previous version is available while stocks last.

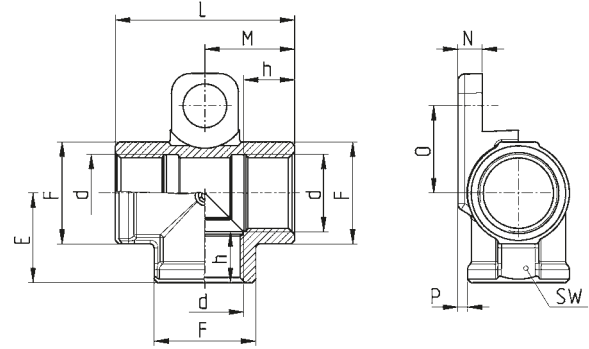
Tee fittings Mod. D2003



CHARACTERISTICS

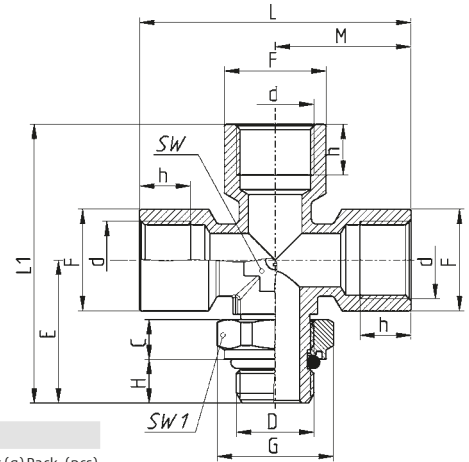
Mod.	d	E	G	h	M	L	N	O	P	R	SW	Weight (g)	Pack. (pcs)
D2003 M16X1,5	M16X1,5	18,5	21	10	18,5	37	-	-	-	-	20	53	10
D2003 M22X1,5	M22X1,5	32	27	11	32	64	-	-	-	-	20	126,5	10

Tee fittings Mod. D2003...S01



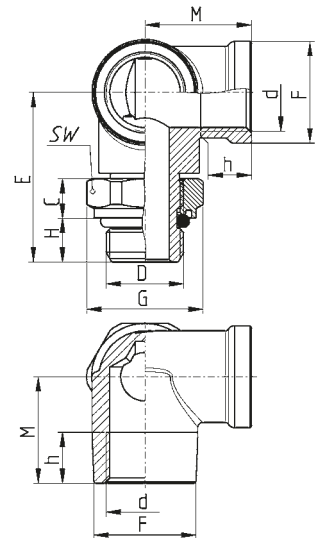
CHARACTERISTICS												
Mod.	d	E	G	h	M	L	N	O	P	R	SW	Weight (g) Pack. (pcs)
D2003 M16X1,5-S01	M16X1,5	18,5	21	10,5	18,5	37	5	18	2	9	21	68 10

Cross fittings Mod. D2032



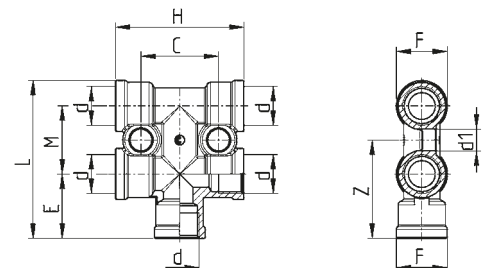
CHARACTERISTICS														
Mod.	d	D	C	E	F	G	H	h	L	L1	M	SW	SW1	Weight (g) Pack. (pcs)
D2032 M16X1,5-M16X1,5R	M16X1,5	M16X1,5	8,2	29,5	21	24	9	10,5	56	57,5	28	16	22	110,5 10

Elbow fittings Mod. D2077



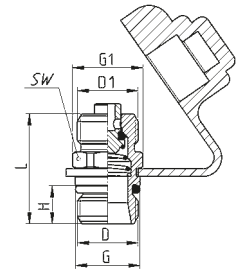
CHARACTERISTICS												
Mod.	D	d	C	E	F	G	H	h	M	SW	Weight (g) Pack. (pcs)	
D2077 M16X1,5-M16X1,5R	M16X1,5	M16X1,5	8,2	35	21	24	9	10,5	22	22	94,5 10	
D2077 M16X1,5-M22X1,5R	M22X1,5	M16X1,5	8,2	35,5	21	30	9	10,5	22	27	98 10	

Fittings Mod. D3043



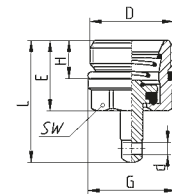
CHARACTERISTICS										
Mod.	d	d1	C	E	M	L	H	G	Z	Weight (g) Pack. (pcs)
D3043 M16X1,5-2D-M16X1,5-S01	M16X1,5	9	32	26,5	28	65	53	21	40,5	147 10

Test point valve Mod. VPC2



CHARACTERISTICS										
Mod.	D	D1	H	G	G1	L	SW	Weight (g)	Pack. (pcs)	
VPC2 M16X1,5R-M16X1,5	M16X1,5	M16X1,5	10	17	18,5	29	17	33	10	
VPC2 M22X1,5R-M16X1,5	M22X1,5	M16X1,5	10	23	18,5	29	17	41	10	

Drain valve Mod. VDC2



CHARACTERISTICS										
Mod.	D	d	E	G	H	L	SW	Weight (g)	Pack. (pcs)	
VDC2 M22X1,5R	M22X1,5	3,2	18,5	23	10	32,1	19	29	10	

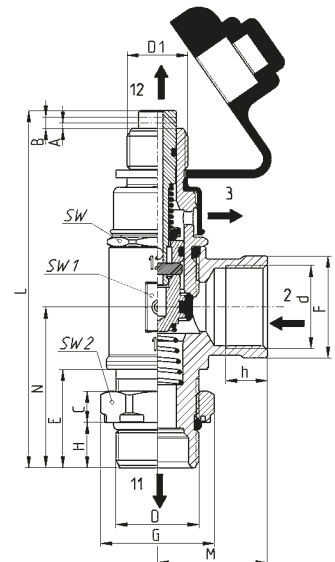
Tyre inflator valve Mod. V604



A = rod position for tyre inflation
B = rod position for tank filling through air intake for tyre inflation

2 = energy supply
3 = drain
11, 12 = energy flow

Flow 2 ÷ 11 bar at 6 bar ΔP 1: 1620 l/min
Flow 2 ÷ 12 bar at 6 bar with no interruption: 400 l/min
Safety pressure: 10 bar Q = 100 l/min; 8 bar Q = 0 l/min



CHARACTERISTICS																	
Mod.	C	D	D1	d	E	F	G	H	h	L	M	N	SW	SW1	SW2	Weight (g)	Pack. (pcs)
V604 M22X1,5R	8,2	M22X1,5	M16X1,5	M22X1,5	26	27	30	12	11	94,4	29	42,5	24	27	27	253	2

Accessories

■ Tubes Mod. TRN



Black tubes in polyamide (PA12)

- According to standards:
- DIN 74324 (except for Mod. TRN 16/13 NX)
 - REACH REGULATION (EC N°1907/2006)
 - EUROPEAN DIRECTIVE RoHS n° 2002/95/EC

CHARACTERISTICS						
Mod.	D/d	MAX pressure at 23°C (bar)	Weight (g/m)	Min. curve radius min. (mm)	Operating temperature (°C)	Size (m)
TRN 4/2 NX	4/2	49	9.6	16	-55°C ÷ +100°C	50
TRN 6/4 NX	6x1	29	16	30	-55°C ÷ +100°C	100
TRN 8/6 NX	8x1	21	22.4	40	-55°C ÷ +100°C	100
TRN 10/8 NX	10x1	16	28.8	60	-55°C ÷ +100°C	50
TRN 12/9 NX	12x1,5	21	50.4	60	-55°C ÷ +100°C	50
TRN 15/12 NX	15x1,5	16	64.9	90	-55°C ÷ +100°C	50
TRN 16/13 NX	16x1,5	13	71	120	-55°C ÷ +100°C	50
TRN 18/14 NX	18x2	18	102.5	100	-55°C ÷ +100°C	50

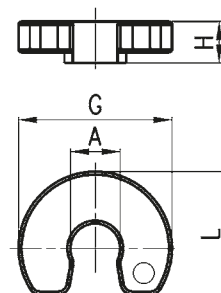
■ Tube cutter tool Mod. PNZ and PNZP



CHARACTERISTICS	
Mod.	
PNZ-12	able to cut tubes with Ø up to 12 mm
PNZ-25	able to cut tubes with Ø up to 25 mm
PNZP-12	able to cut tubes with Ø up to 12 mm

■ Tube disconnecting key Mod. DRK

Material: technopolymer



CHARACTERISTICS						
Mod.	A	G	H	L	Weight (g)	Pack. (pcs)
DRK 6	6	25	6	19	1	10
DRK 8	8	28.5	7	20	1	10
DRK 10	10	30.5	9	22	2	10
DRK 12	12	33	9	23	3	10
DRK 15	15	36	10	27	3	10
DRK 16	16	37	10	27.5	4	10
DRK 18	18	40	12	31	5	10

REPAIR KITS

**For the pneumatic system
of commercial vehicles and trailers.**

Air brake & air suspension

> Series 9000

Accessories

> Series 6000

The TRUCK-DCASE kits enable drivers to repair tube damages or other smaller issues on the connections when being out on the road or in the field and professional repair/ maintenance is out of reach.

These repair kits contain fittings in the most common sizes, the necessary release tools, as well as a tube cutting device.

The TRUCK-DCASE is completed with a short and clearly understandable working instruction.



MODEL TRUCK-DCASE/9000

Repair kit with Series 9000 fittings

The kit is supplied with:

2x 9580 6	1x DRK 6	1x PNZP-12
2x 9580 8	1x DRK 8	
2x 9580 10	1x DRK 10	
2x 9580 12	1x DRK 12	



MODEL TRUCK-DCASE/6000

Repair kit with Series 6000 fittings

The kit is supplied with:

2x 6580 4	2x 6580 10	1x PNZP-12
2x 6580 5	1x 6580 12	
2x 6580 6	1x 6580 14	
2x 6580 8		



NOTE: the 6000 fittings are only for use in auxiliary applications (no airbrake, no suspension, no powertrain).

MODEL TRUCK-DCASE/9000+6000

Repair kit with Series 9000 and Series 6000 fittings

The kit is supplied with:

1x 6580 4	2x 6580 10	2x 9580 6	1x DRK 6
1x 6580 5	1x 6580 12	2x 9580 8	1x DRK 8
1x 6580 6	1x 6580 14	1x 9580 10	1x DRK 10
1x 6580 8		1x 9580 12	1x DRK 12
			1x PNZP-12



NOTE: the 6000 fittings are only for use in auxiliary applications (no airbrake, no suspension, no powertrain).

Contacts

Camozzi Automation S.p.A.

Società Unipersonale
Via Eritrea, 20/I
25126 Brescia
Italy
Tel. +39 030 37921
info@camozzi.com

